

# INVADER



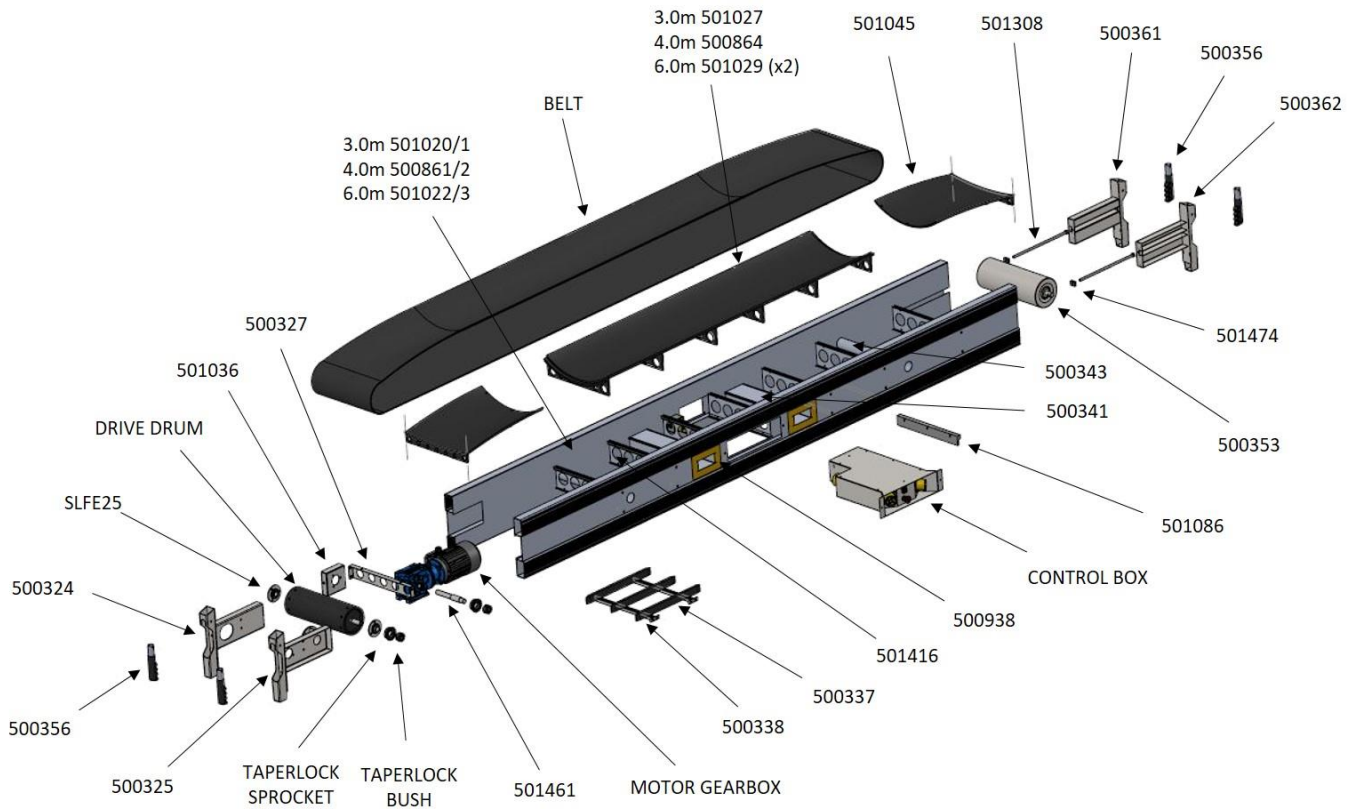
## PARTS GUIDE

INVADER 45

4.0m, 6.0m

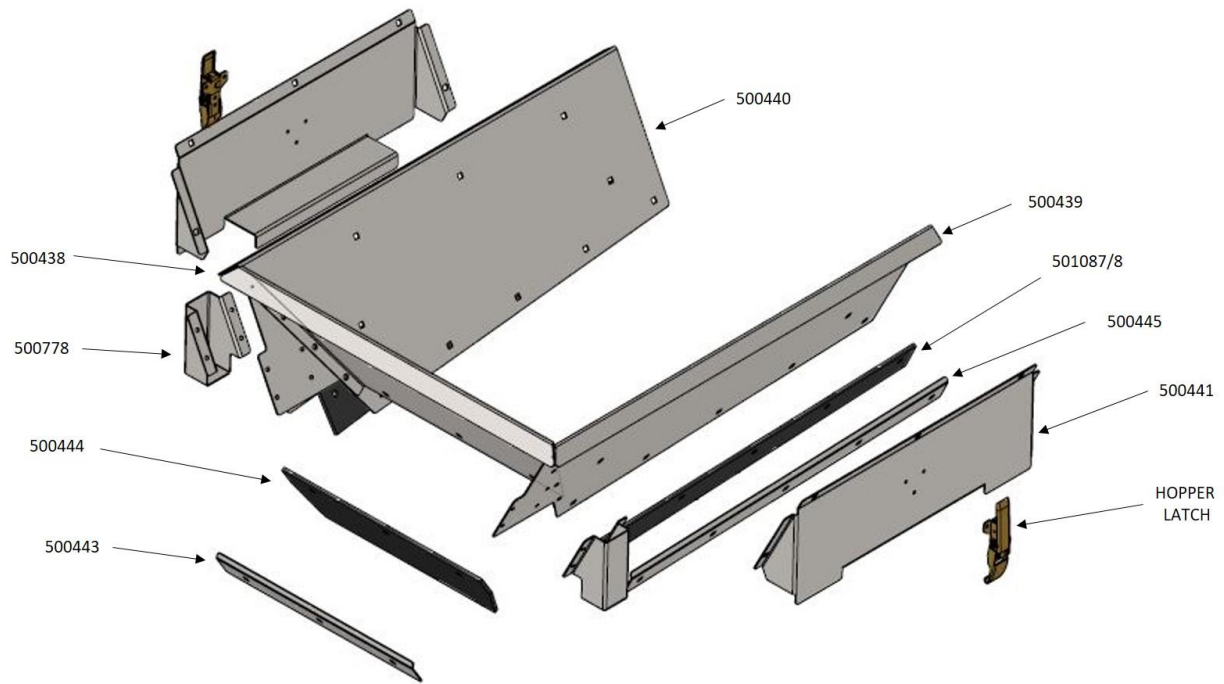
COVEYA

# CONVEYOR



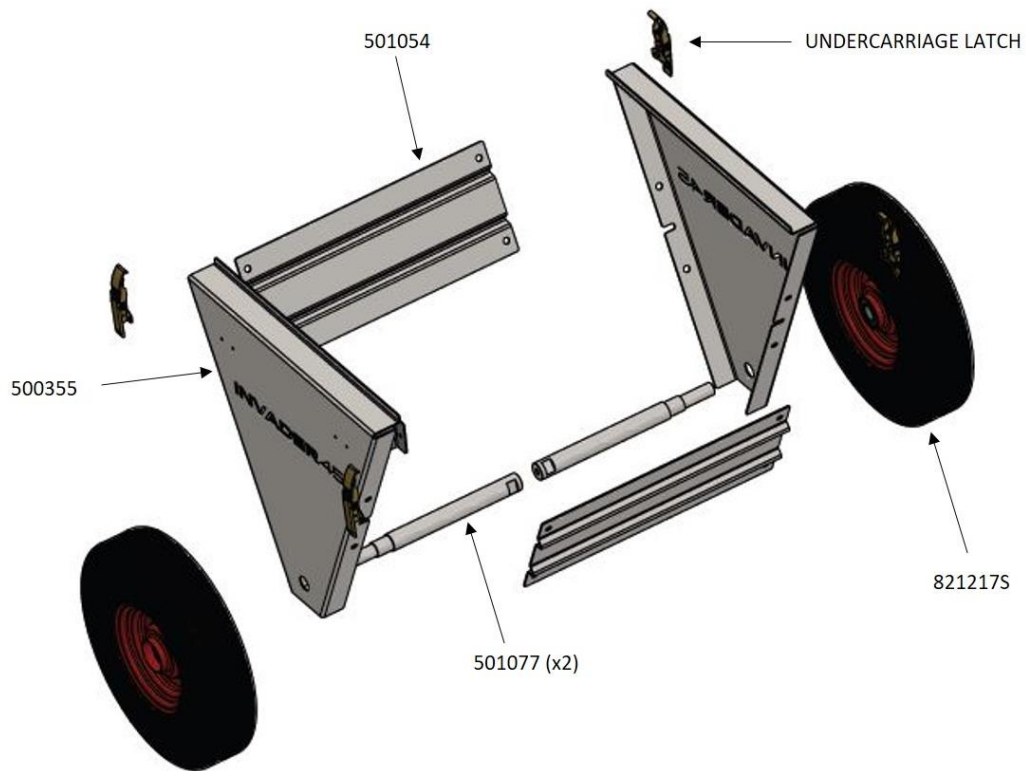
501027	3.0m Slider Bed	501036	Head Tracking Bracket
500864	4.0m Slider Bed	500361	Tension Plate RH
501029	6.0m Slider Bed (Qty 2)	500362	Tension Plate LH
501045	Slider Bed Curved End - Drive	500353	Tail Drum
501452	Slider Bed Curved End - Feed	501308	Tensioning Stud
500320	Drive Drum	501474	Rectangular Nut
501461	Drive Shaft	500337	Plastic Return Support
500324	Drive Plate RH	500338	Return Cross Member
500325	Drive Plate LH	502028	Forklift Protector Plate
500327	Head Straight Cross Support	501086	Internal Scraper Blade
500356	Handle	502023	Cross Brace Strengthener

# HOPPER



500438	Hopper Back	500445	Hopper Side Rubber Clamp
500439	Hopper Side RH	500778	Hopper Locator
500441	Hopper Side Support	501087	Hopper Side Rubber LH
500443	Hopper Back Rubber Clamp	501088	Hopper Side Rubber RH
500444	Hopper Back Rubber	EWL70	Hopper Latch

## WHEELED UNDERCARRIAGE



500355 Undercarriage Frame  
 501054 Undercarriage Cross brace  
 EWL70 Undercarriage Latch

501077 Wheel Shaft (Qty 2)  
 821217S Undercarriage Wheel