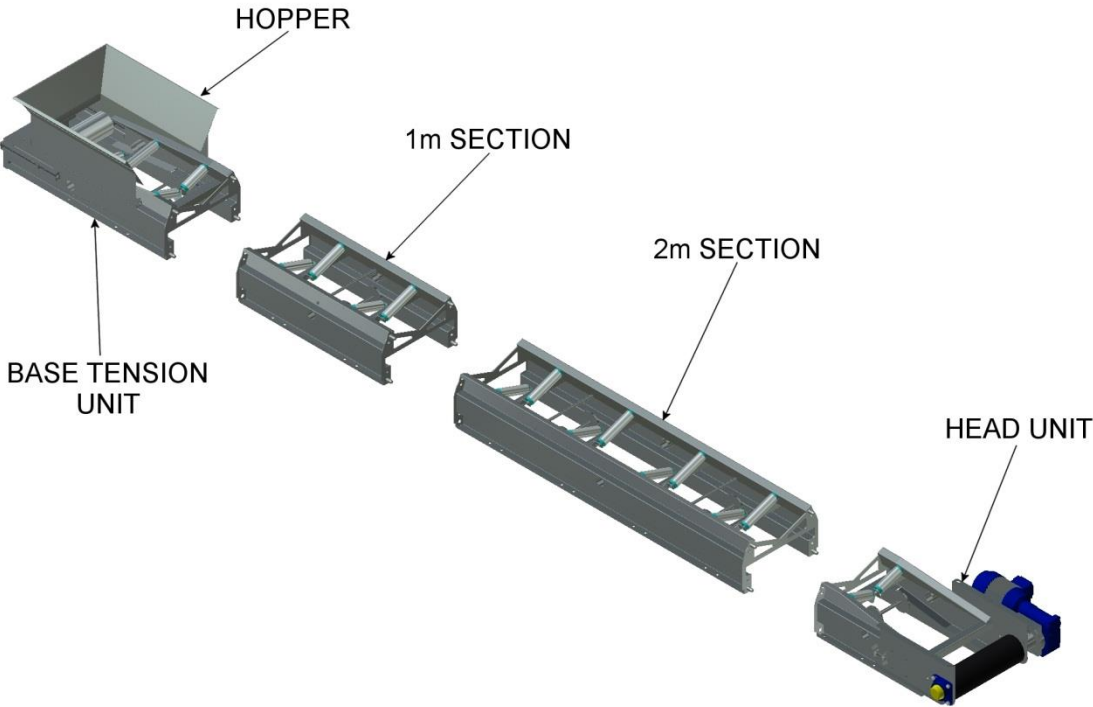
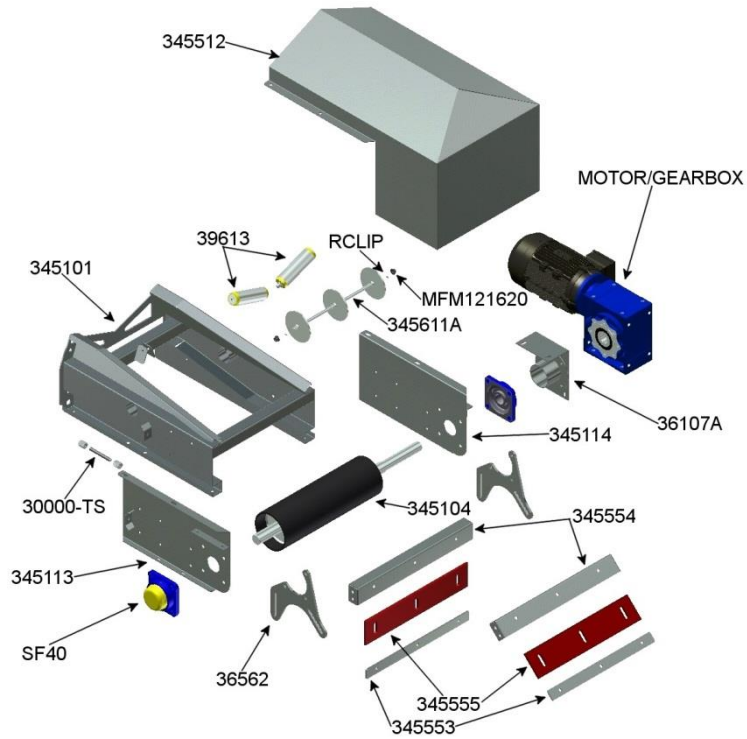


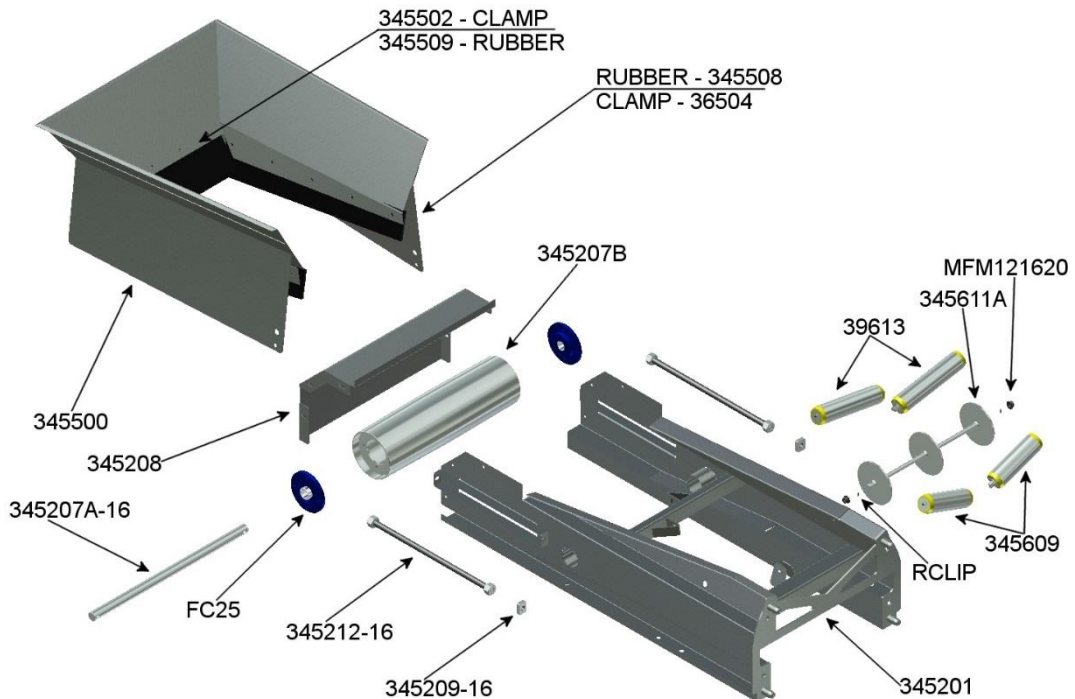
## EASIKIT 450 PARTS



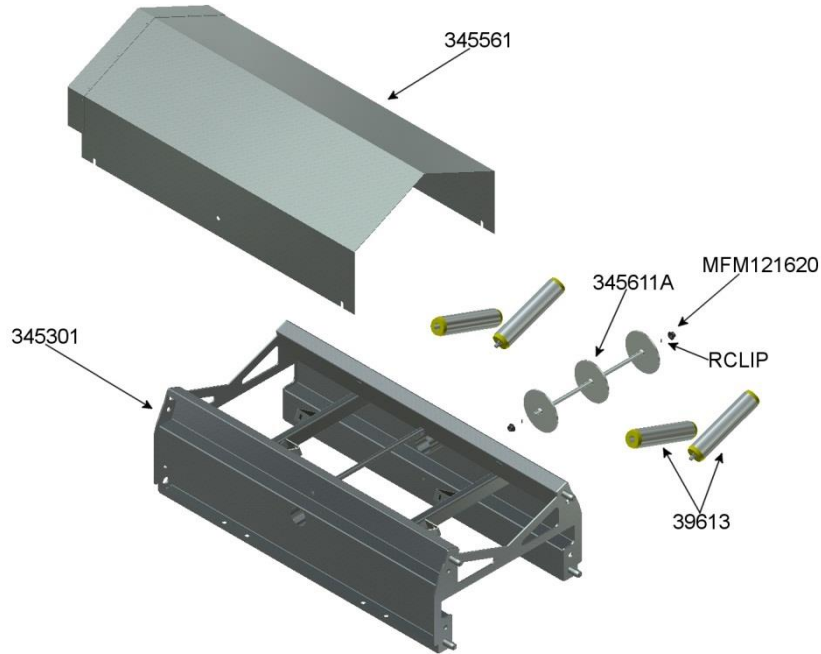
# 401 - HEAD DRIVE UNIT



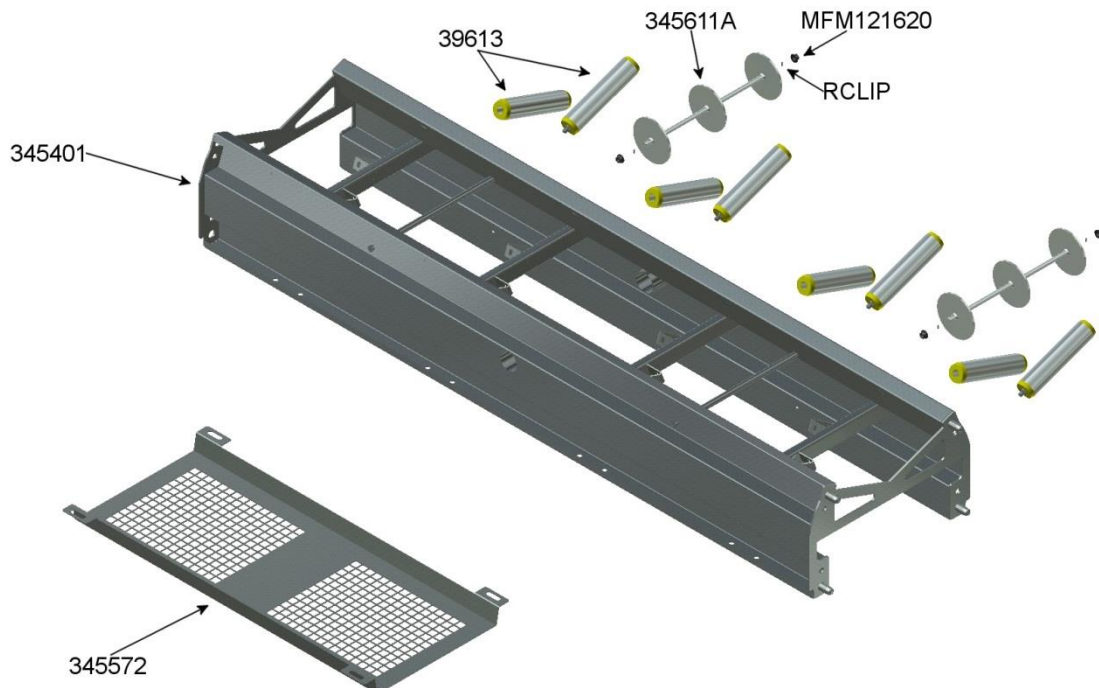
# 402 - BASE TENSION UNIT



# 403 – 1.0m SECTION



# 404 – 2.0m SECTION



# EASIKIT 450 PARTS ORDER FORM

Company name: .....

Your name: .....

Address: .....

Tel no: .....

Post Code: .....

Your Order no: .....

E-mail: .....

EASIKIT 450 HEAD UNIT		
ITEM NO.	DESCRIPTION	QTY
354101	Head Unit Frame	
345104	Drive Drum	
36107A	Motor Bracket	
39613	Top Roller	
345113	Head Plate (RH)	
345114	Head Plate (LH)	
345611A	Disc Return Roller	
MFM121620	Return Roller Bush	
RCLIP	Return Roller R-Clip	
345623	Plain Return Roller	
SF40	Head Drum Bearing	
30000-TS	Tracking Stud	
36562	Scraper Side Brackets	
345553	Scraper Blade Clamp	
345554	Belt Scraper Frame	
345555	Polyurethane Blade	
345512	Head Top Cover	

EASIKIT 450 BASE TENSION UNIT		
ITEM NO.	DESCRIPTION	QTY
345201	Tail Unit Frame	
345207A	Tail Drum Shaft	
345207B	Tail Drum	
FC25	Tail Drum Bearing	
345208	Tail Guard	
345209-16	Rectangular Nut	
345212-16	Tensioning Stud	
39613	Top Roller	
345623	Plain Return Roller	

EASIKIT 450 BASE TENSION UNIT (cont'd)		
ITEM NO.	DESCRIPTION	QTY
345609	Short Top Roller	
345611A	Disc Return Roller	
MFM121620	Return Roller Bush	
RCLIP	Return Roller R-Clip	
345500	Hopper Frame	
345502	Back Rubber Clamp	
345509	Back Rubber	
36504	Side Rubber Clamp	
345508	Side Rubber	
345574	Hopper Pin	

EASIKIT 450 1.0m SECTION		
ITEM NO.	DESCRIPTION	QTY
345301	1.0m Section Frame	
39613	Top Roller	
345611A	Disc Return Roller	
MFM121620	Return Roller Bush	
RCLIP	Return Roller R-Clip	
345623	Plain Return Roller	
345561	1.0m Top Cover	

EASIKIT 450 2.0m SECTION		
ITEM NO.	DESCRIPTION	QTY
345401	2m Section Frame	
39613	Top Roller	
345611A	Disc Return Roller	
MFM121620	Return Roller Bush	
RCLIP	Return Roller R-Clip	
345623	Plain Return Roller	
345572	Underguard Panel	

PLEASE FILL IN YOUR REQUIREMENTS & SEND A COPY OF YOUR ORDER TO:  
[sales@coveya.co.uk](mailto:sales@coveya.co.uk)

(February 2017)